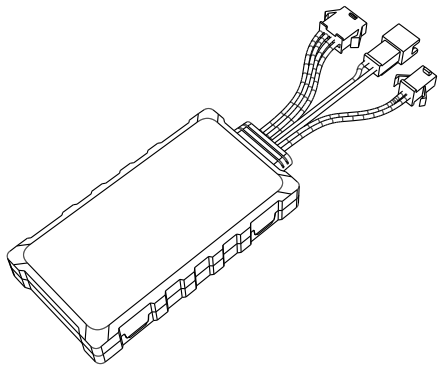


PICTOR® GPS TRACKER USER MANUAL



Please read the instruction manual carefully before installation and use.

1 Product Parameters & Functions

1.1 Product Parameters & Functions

Item	Name	Specification
Main Features	Size	79.5x42x12.5mm
	Battery	250mAh
	Voltage Range	9V-90V
GPS	GPS Fixed Time	Hot<2sec (Open Sky) Cold<38sec(Open Sky)
	Positioning Accuracy	≤5m

1.2 Accessories List

Item	Unit	Qty
Device	Pcs	1
Manual	Pcs	1
Wiring harness	Pcs	1
SOS	Pcs	1
Mic	Pcs	1

2 Product Features

NOTE SIM Card needs SMS, data service and phone call functions.



ACC Detection



Geo-fence



Low Battery Alarm



Trace Playback



Real-time Tracking



Geo-defense



Cut-wire Alarm



SOS Emergency



Remotely Stop Engine

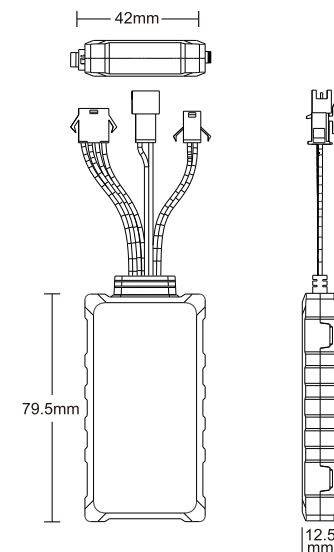


4G Network

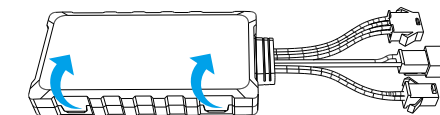


Vibration Alarm

3 Product Size



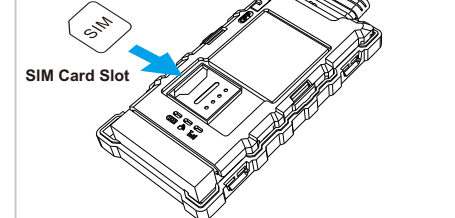
4 Sim Installation



Open the upper shell of the device



Internal switch

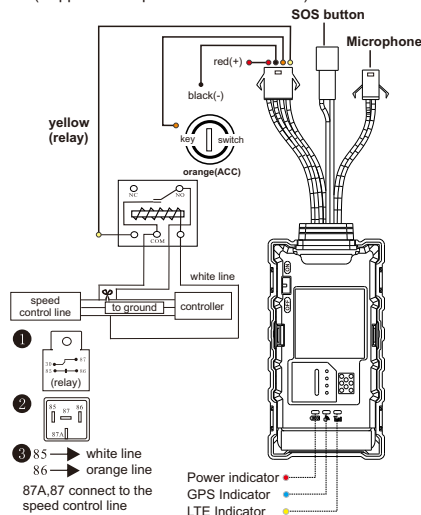


NOTE A SIM card is required for SMS, data services and calling functions(Calling needs phone card).

5 Wire Connection

NOTE

Long press SOS button more than 3s, it will push emergency alarm.(Support serial port extension function)



1

2

3

85 → white line
86 → orange line
87A,87 connect to the speed control line

Power indicator →
GPS Indicator →
LTE Indicator →

6 LED Indicator

Red LED Light (Power Supply Status)

Status	Meaning
Slow flash	External power supply disconnected
Steady on	External power is connected
Off	Broken or sleeping

Yellow LED Light (Network Status)

Status	Meaning
Slow flash	Searching for network signal
Steady on	The device is online
Off	Broken or sleeping

Blue LED Light (GPS Status)

Status	Meaning
Slow flash	GPS initialized, searching for GPS signal
Steady on	The device is connected to GPS
Off	Broken or sleeping

7 Product Installation

If you do not know how to install, it is recommended that you can seek the assistance of an experienced installer.

Installation Precautions

- The device should be installed in a waterproof and dry place.
- Please insert SIM card before connecting power and switching ON.
- Make sure lights is up and there is no metal blocking.
- Secure with a cable tie or sponge double-sided tape.

8 Quick Operation Instructions

NO.	SMS Name	Format
1	Status Check	STATUS#
2	Parameter Check	PARAM#
3	Lat. &Long. Check	WHERE#
4	Add SOS Number	SOS,A,+86,+86,+86#
5	Delete SOS Number	SOS,D,+86#
6	Cut off oil and electricity	RELAY,1#
7	Restore oil and electricity	RELAY,0#
8	APN Setting	APN, APN name#

9 Working Description

- Turn on the switch after inserting SIM card and connect the device to the vehicle power, and then the indicator lights will start blinking.
- If the device is using its own built-in battery, the power indicator light (red) will slowly blink after turning on manually.
- A few seconds later both LTE light and GPS light will be steady and device will enter into normal working status.

10 Trouble Shooting

Problem	Description	Solution
Failed to connect the internet	SIM card not installed	Check the SIM card
	SIM card not installed properly	Install again
	No LTE network	Move the device to the LTE network area
Location failed	Weak LTE network	Move the device to strong LTE network area
	SIM card has no LTE functions	Contact SIM card supplier bo activate the LTE function
No GPS location	Always reply "failed to get location"	Contact the supplier
	Some poor signal areas like basement, tunnels are not able to acquire GPS signals	Move the device to open sky areas

11 Access to Platform

- Platform(www.iopgps.com)
- Android and iOS APP(Scan the qr code to download app)



There are two methods to login in the platform or app.

- Login by IMEI number(the 15 digits in the back of the device) password: the last 6 digits of imei number.
- Contact the supplier to create an account for you.